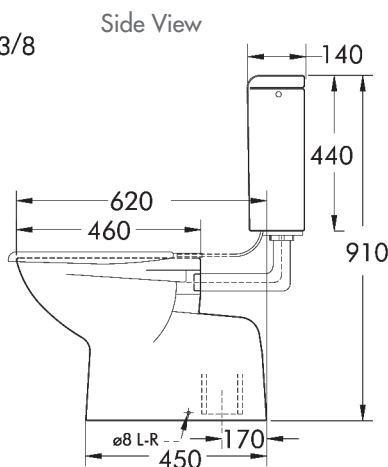
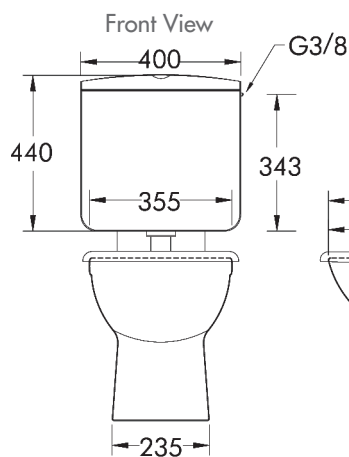
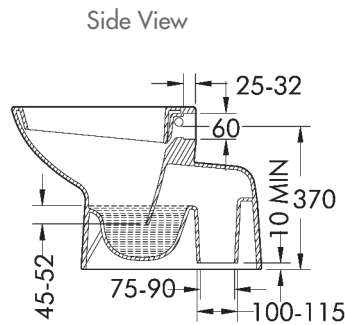
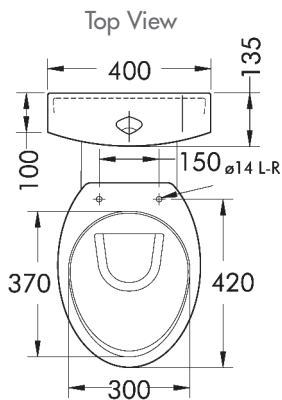


Domani Elite Montana Toilet Suite

This link toilet suite features 6/3 litre dual flush, a concealed S-trap for easy cleaning & meets certified plumbing standards.



<b>Colour/Finish</b>	White	
<b>Includes</b>	Domani elite Montana S-trap pan	17481A-WK
	Domani elite Montana Plastic cistern	17488A-WK
	Seat	17491A-WK
<b>Set Out</b>	115-225mm	
<b>Trap Options</b>	S-Trap	
<b>Material</b>	Vitreous China	
<b>Associated Furniture</b>	Sapphire vanity range	



All measurements shown are in millimetres.  
Sizes are approximate.



**Australia**  
Unit 10, 77-79 St Hillers Road  
Auburn, NSW 2144, Australia  
PO Box 257 Regents Park 2143 NSW  
Ph: 1300 362 264 Fax: 1300 652 284  
www.engagefield.com

**New Zealand**  
133 Diana Drive, Glenfield, Auckland, New Zealand  
PO Box 100-146 NSMC, Auckland  
Ph: 0800 100 382 Fax: 0800 66 44 88  
www.engagefield.co.nz